

FIG. 1

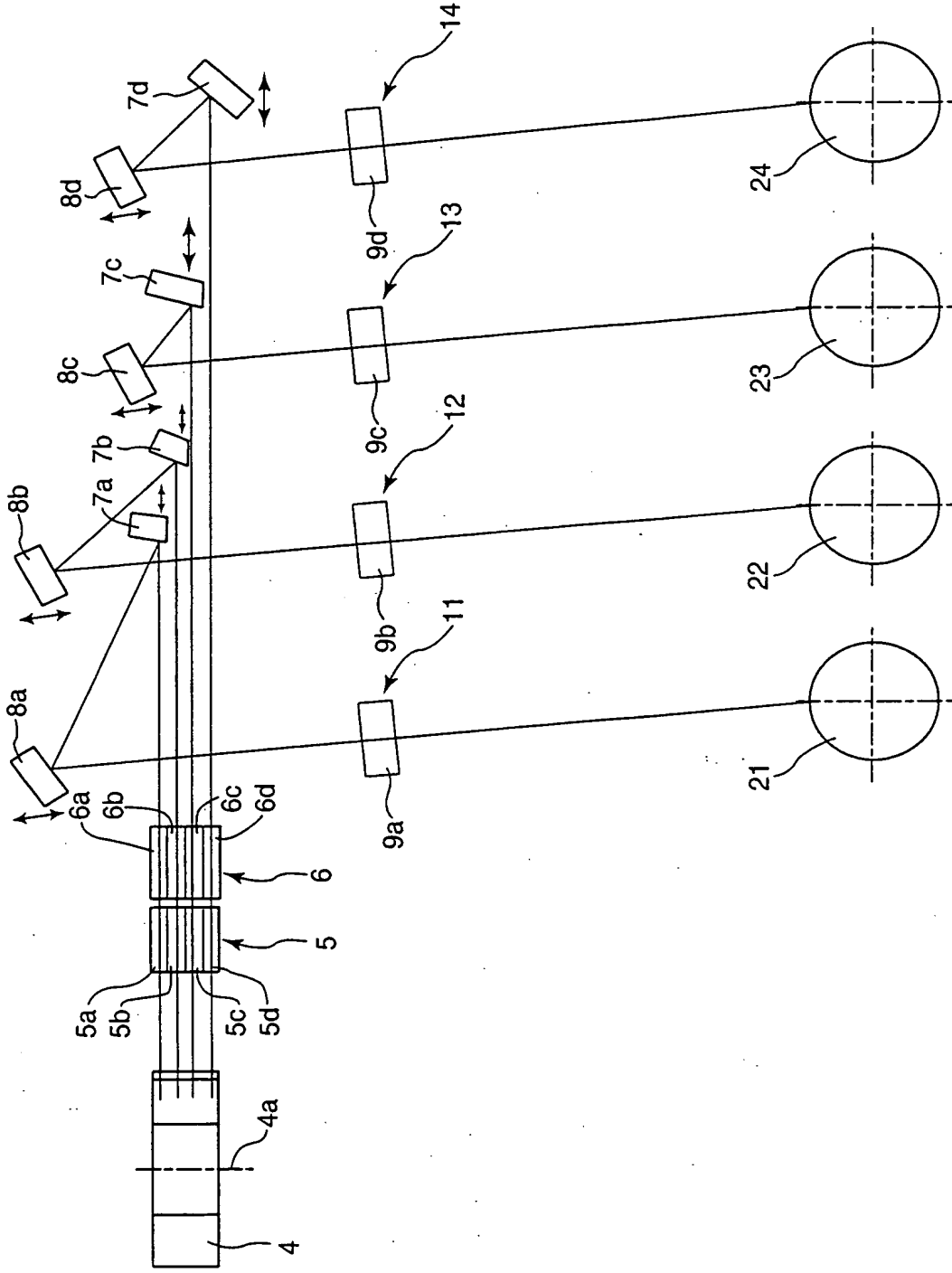
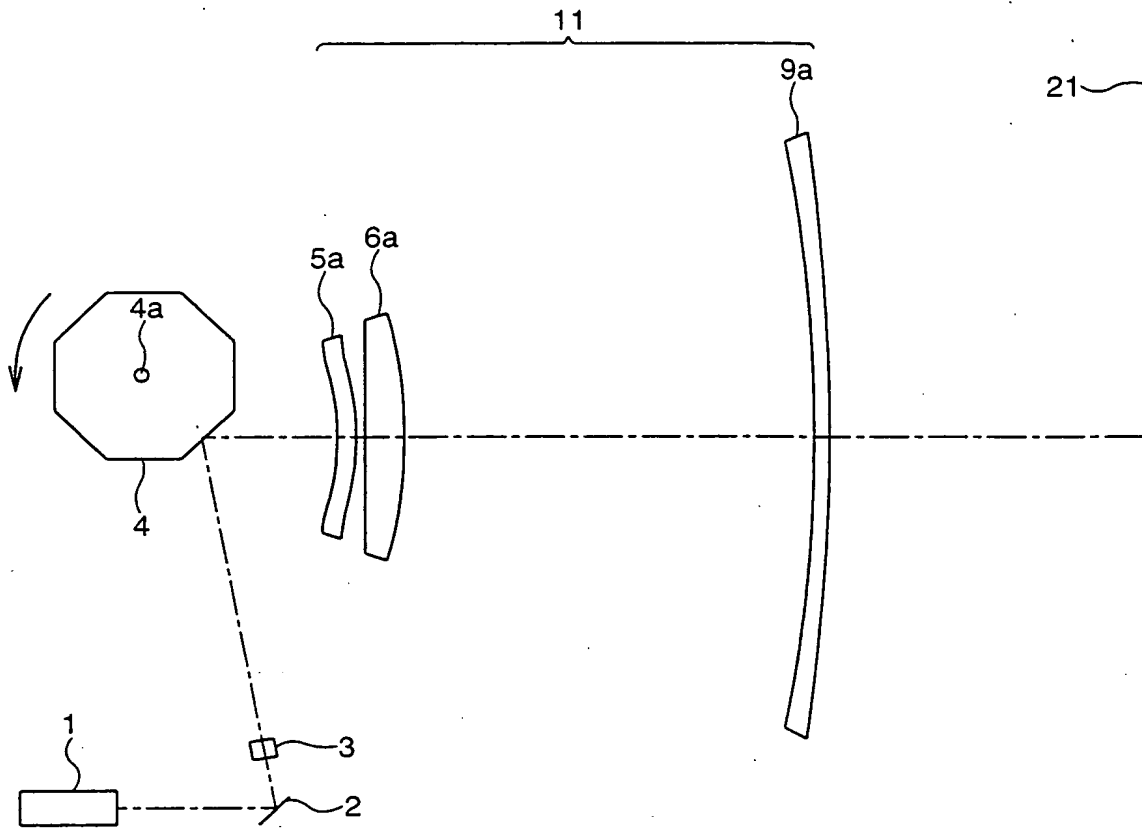


FIG. 2



PATENT APPLICATION

FIG. 3

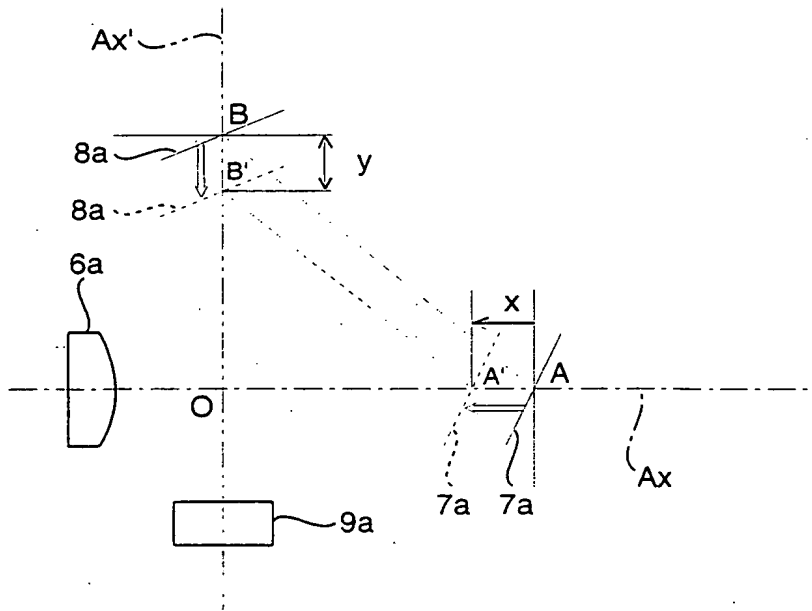


FIG. 4

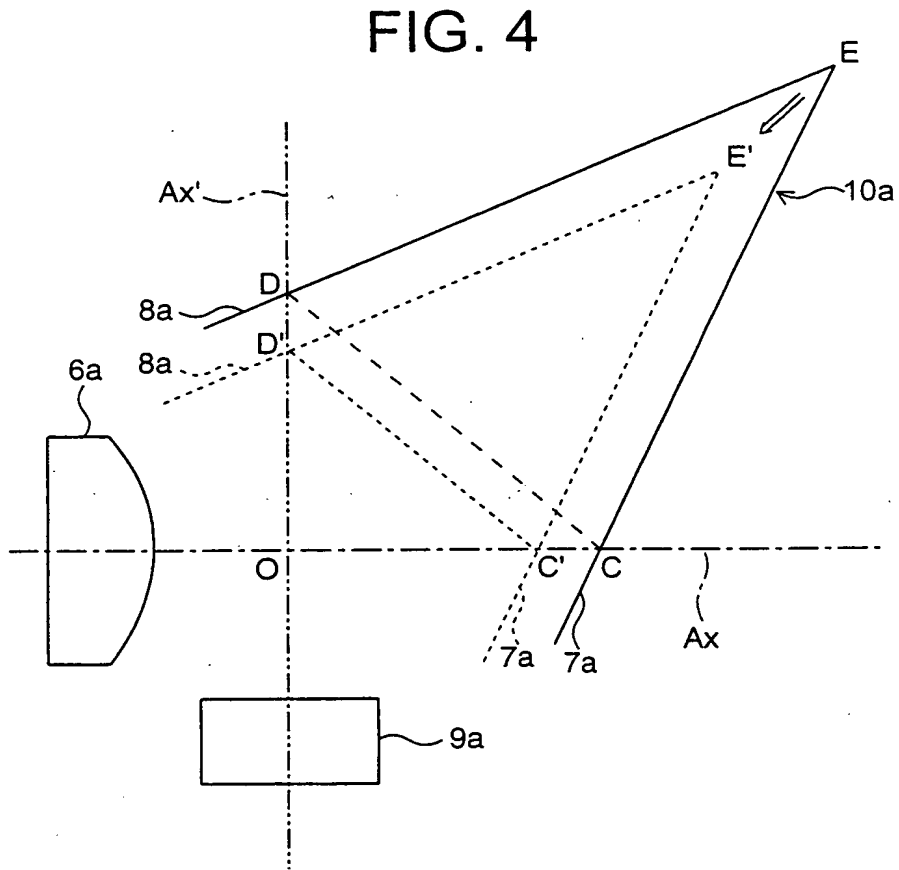


FIG. 5

